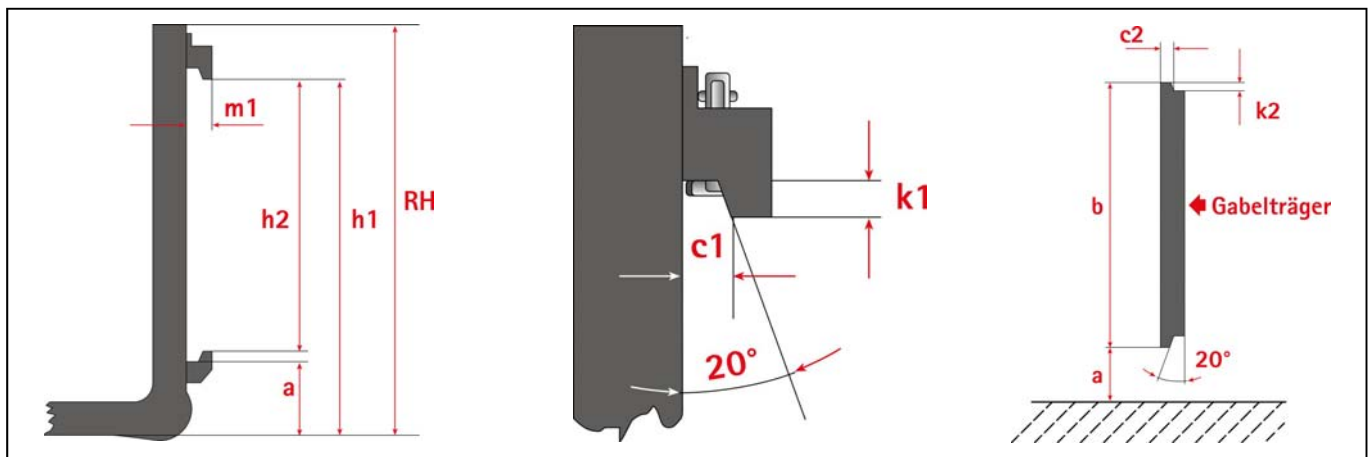


## Connection measures ISO suspension

Today, the ISO suspension is world-wide the most common way of connecting forks to the lift-truck.

According to the rated truck capacity the ISO standard consists of 5 classes, each of them having a form „A“ and „B“ (e.g. class „2A“ or „2B“). The difference in the forms „A“ and „B“ is the fork drop (clearance lower hook to floor). All measures are defined in the international standard ISO 2328.

In the table below the most important measures are listed.



| Class   | Rated lift-truck capacity kg | Load centre mm          | Form ISO | Drop a clearance mm | b mm | c1 <sup>+1</sup> mm | c2 <sub>-1</sub> mm | H1 ±3 mm   | h2* mm     | k1 min. mm | k2 <sub>-1,5</sub> mm | m1 max. mm | RH± <sup>10</sup> <sub>5</sub> ISO/mm |
|---------|------------------------------|-------------------------|----------|---------------------|------|---------------------|---------------------|------------|------------|------------|-----------------------|------------|---------------------------------------|
| ISO 1   | 0–999                        | 400 + 600 <sup>a)</sup> | 1A<br>1B | 76<br>114           | 331  | 16,5                | 16                  | 394<br>432 | 306<br>306 | 14         | 13                    | 31         | 1A 475<br>1B 510                      |
| ISO 2   | 1,000–2,500                  | 500 + 600 <sup>b)</sup> | 2A<br>2B | 76<br>152           | 407  | 16,5                | 16                  | 470<br>546 | 382<br>382 | 14         | 13                    | 31         | 2A 550<br>2B 625                      |
| ISO 3   | 2,501–4,999                  | 500 + 600               | 3A<br>3B | 76<br>203           | 508  | 22                  | 21,5                | 568<br>695 | 477<br>477 | 17         | 16                    | 40         | 3A 655<br>3B 780                      |
| ISO 4   | 5,000–10,000                 | 600                     | 4A<br>4B | 127<br>254          | 635  | 26                  | 25,5                | 743<br>870 | 598<br>598 | 20         | 19                    | 47         | 4A 845<br>4B 970                      |
| ISO 5** | 8,001–10,999                 | 600                     | 5A<br>5B | 127<br>257          | 728  | 35                  | 34                  | 830<br>960 | 680<br>680 | 26         | 25                    | 65         | 5A 930<br>5B 1060                     |

\* ISO 1 + 2: Tolerance + 1 mm

ISO 3,4 + 5: Tolerance + 1,5 mm

\*\* ISO 5 is introduced in 2003 and therefore still unusual in Europe.

The capacity range of 5,000–10,000 kg will still be covered by ISO 4, as it was usual until now.

a) 600 mm is used in the USA

b) 600 mm is used in USA, Asia, Australia